

Baoji Xinlian Titanium Industry Co.,Ltd is one of the leading China titanium retaining washers for shafts manufacturers and suppliers, and also a professional company equipped with factory, welcome to wholesale titanium retaining washers for shafts, titanium lock washer for shafts.

Titanium Lock Washers for Shafts

Titanium Retaining Washers for Shafts

Standard: DIN6799 Specification: D0.8-D30

Material: Pure titanium, Titanium alloy

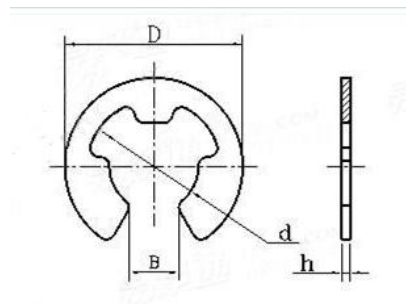
Grade: Gr1, Gr2, Gr5(Ti6al4v), Gr7, Gr9

Surface Treatment: Polishing, Anodizing, Nitriding

Color: Ti nature, Gold, Blue, Green, Purple, Black, Rainbow

DIN6799

Titanium Retaining Washer for Shafts



Unit: mm

d	h		B		D
	max	min	max	min	max
0.8	0.22	0.18	0.62	0.54	2.25
1.2	0.32	0.28	1.05	0.97	3.25
1.5	0.42	0.38	1.32	1.24	4.25
1.9	0.52	0.48	1.65	1.57	4.8
2.3	0.62	0.58	1.98	1.9	6.3
3.2	0.62	0.58	2.74	2.66	7.3
4	0.72	0.68	3.388	3.292	9.3
5	0.72	0.68	4.158	4.062	11.3
6	0.72	0.68	5.308	5.212	12.3
7	0.92	0.88	5.888	5.792	14.3
8	1.03	0.97	6.578	6.462	16.3
9	1.13	1.07	7.688	7.572	18.8
10	1.23	1.17	8.378	8.262	20.4
12	1.33	1.27	10.52	10.38	23.4
15	1.53	1.47	12.68	12.54	29.4
19	1.78	1.72	15.99	15.85	37.6
24	2.03	1.97	21.964	21.792	44.6
30	2.53	2.47	25.884	25.716	52.6